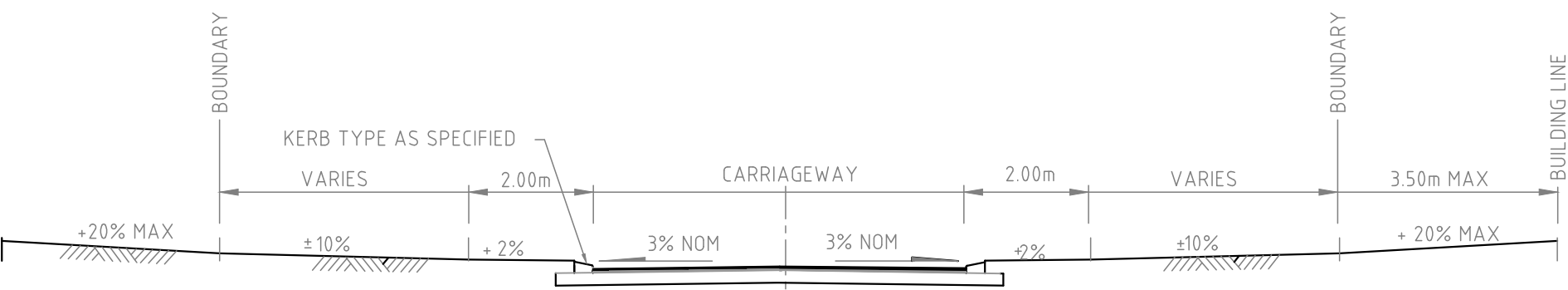
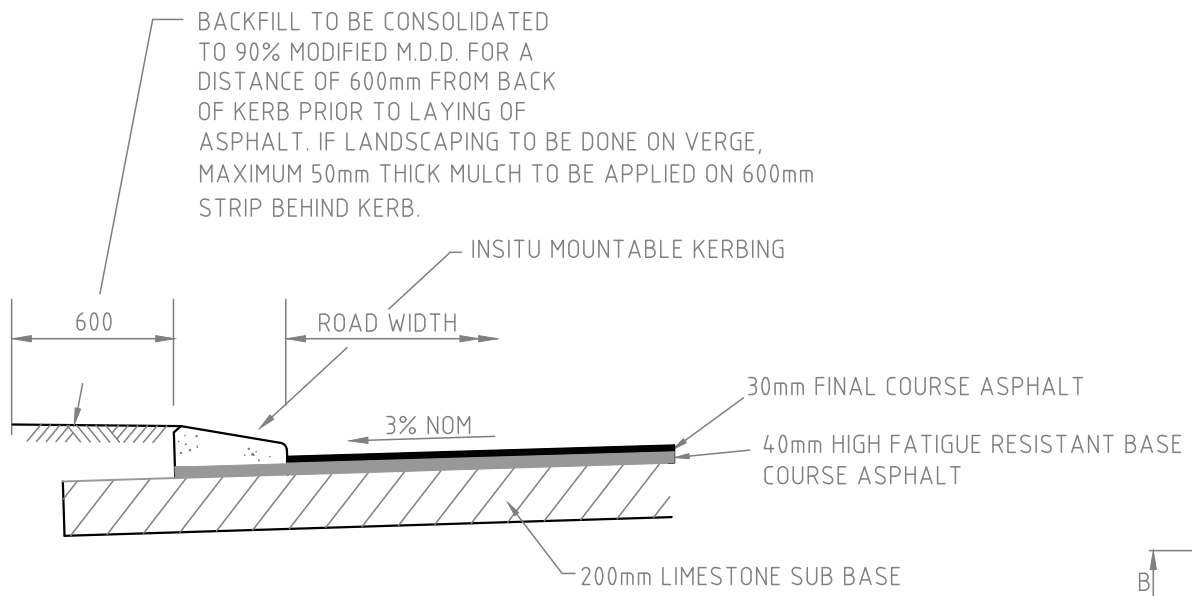


NOTE
 1. THIS PAVEMENT DEPTH IS RECOMMENDED ONLY IN RESIDENTIAL STREETS WITH SAND SUB-GRADES WITH A MINIMUM DEPTH OF 1m TO THE MAXIMUM WATER TABLE LEVEL
 2. IN THE CASE OF SOILS CONTAINING SILTS, CLAYS, PEAT OR IN CASES CLOSER THAN 1m TO THE MAXIMUM WATER TABLE, SPECIFIC PAVEMENT DESIGNS SHOULD BE UNDERTAKEN IN LINE WITH STANDARDS AUSTRALIA/AUSTROADS PAVEMENT DESIGN MANUAL OR APRG REPORT No 21, A GUIDE TO THE DESIGN OF NEW PAVEMENTS FOR LIGHT TRAFFIC AS APPLICABLE
 3. WHERE THE ROAD CARRIES TRAFFIC GREATER THAN 1x10⁶ EQUIVALENT STANDARD AXLES OVER A 20 YEAR DESIGN LIFE, THE PAVEMENT PROFILE SHOULD BE SUBJECT TO SPECIFIC DESIGN.

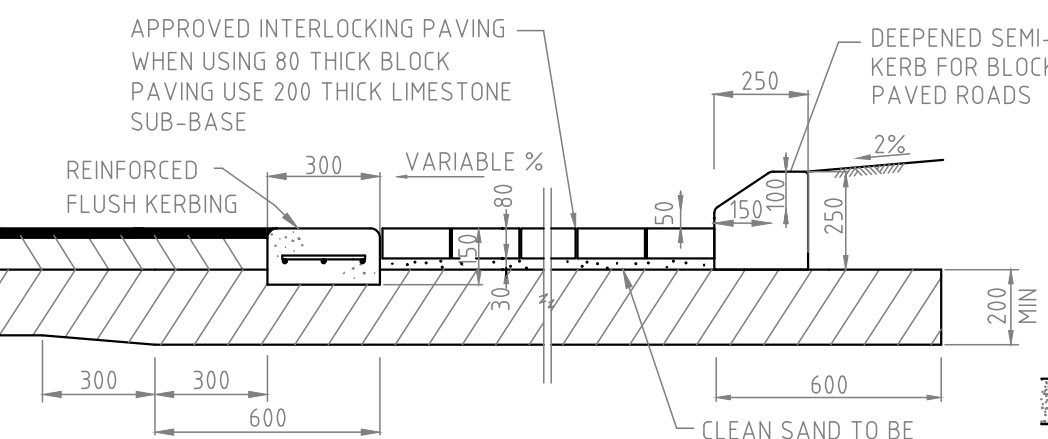


TYPICAL CARRIAGEWAY SECTION
1:100

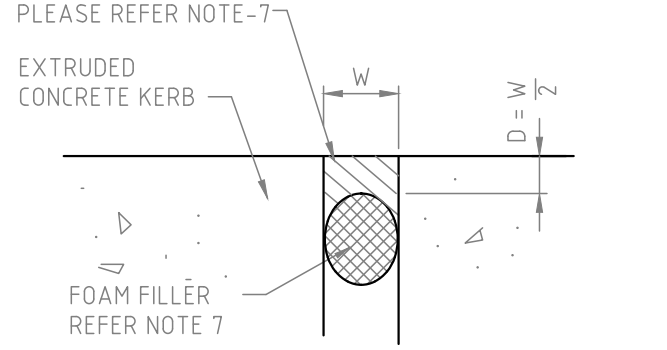
NOTE: ALL ROADS TO BE SEALED WITH ASPHALT
 CONTRACTOR TO CHECK WITH ROAD CROSS SECTIONS FOR VERGE TREATMENT
 CARRIAGEWAY ASPHALT ± 3mm, Nom. 10mm MIX



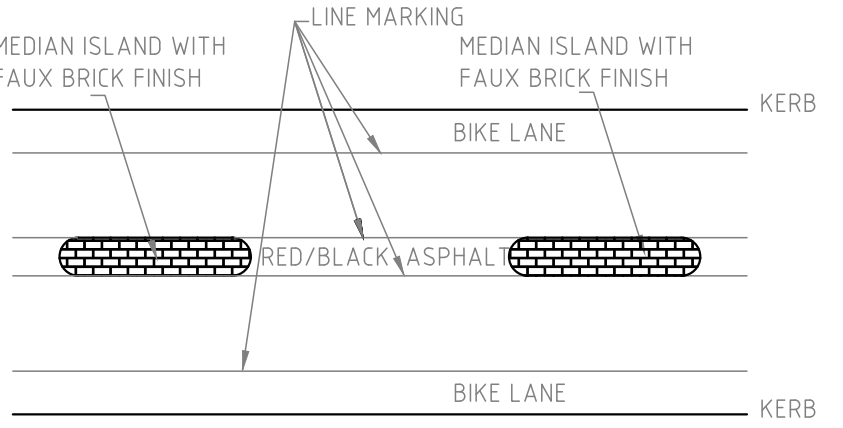
TYPICAL PAVEMENT DETAIL
1:20



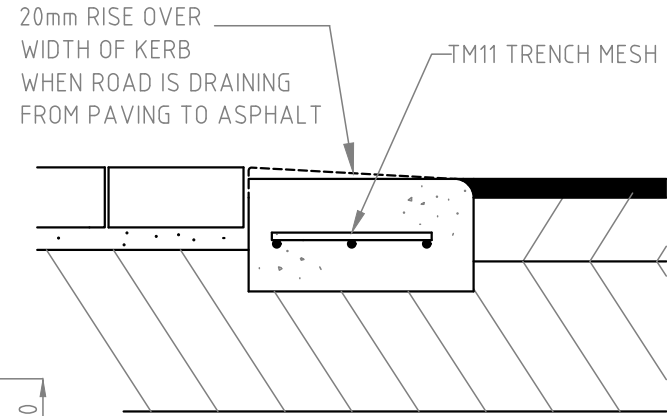
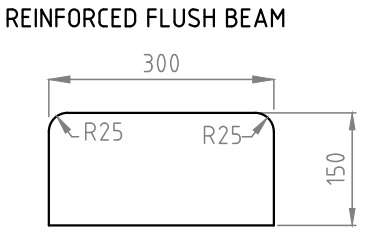
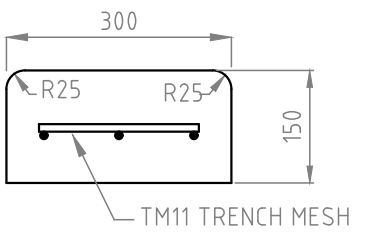
STANDARD BLOCK PAVING
INCLUDING FLUSH KERBING 1:20



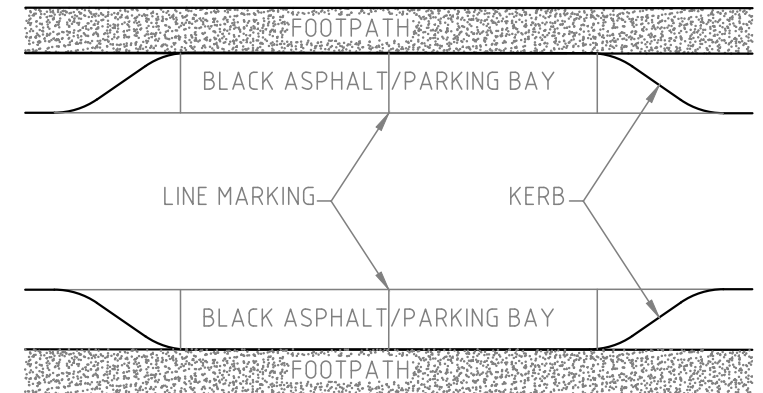
KERB EXPANSION JOINT DETAIL
N.T.S



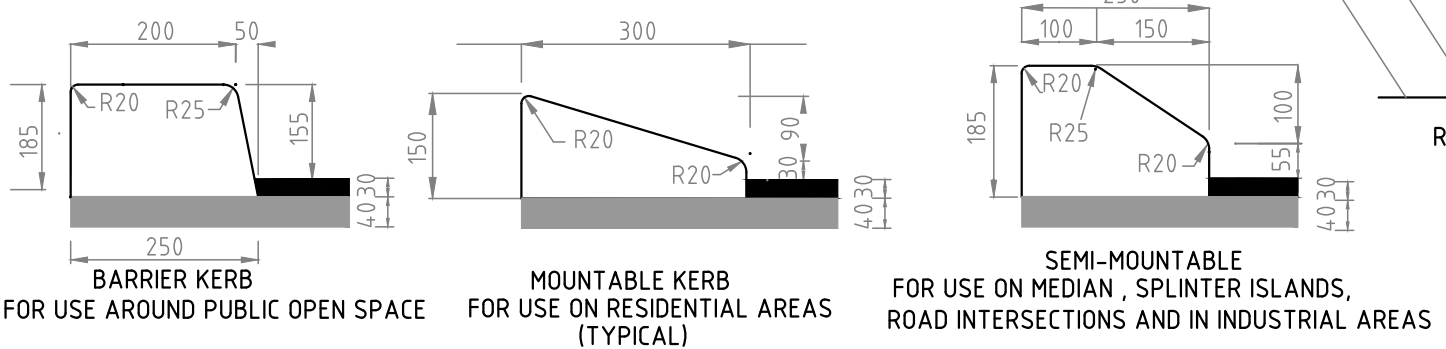
INTERSECTION/MEDIAN TREATMENT



REINFORCED FLUSH BEAM FOR BLOCK PAVING
N.T.S



ON-STREET CAR BAYS
N.T.S



STANDARD EXTRUDED KERBING SECTIONS

- NOTE KERBING:**
1. CONCRETE FOR EXTRUDED KERBING SHALL CONFIRM TO AS 1379-2007
 2. MINIMUM COMPRESSIVE STRENGTH 32MPa AT 28 DAYS
 3. MAXIMUM AGGREGATE SIZE 10mm.
 4. MAXIMUM SLUMP 50mm.
 5. ALL KERBING IS TO INCLUDE POLYPROPYLENE FIBRE MICRO-REINFORCEMENT(MASTERFIBRE 22). THE RECOMMENDED DOSAGE IS 0.9KG PER CUBIC METRE OF CONCRETE ADDED.
 6. CONTRACTION JOINTS SHALL BE PROVIDED AT 4m CENTRES, CONSISTING OF A GROOVE CUT INTO THE CONCRETE SURFACE
 7. EXPANSION JOINTS SHALL BE PROVIDED AT 4m CENTRES (BETWEEN CONTRACTION JOINTS) AND SHALL CONSIST OF A FOAM FILLER, MASTIC SEALED CLASS A POLYURETHANE SEALANT OR SIMILAR TO THE CITY'S SATISFACTION, GAP 12mm WIDE CUT TO THE FULL DEPTH OF THE KERB.
 8. FLUSH KERBING AND REINFORCED FLUSH BEAM TO HAVE EXPANSION JOINTS INSTALLED AT A MINIMUM OF 20m INTERVALS.
 9. FOR REINFORCED FLUSH BEAMS THE REINFORCEMENT IS TO END APPROX 50mm BEFORE THE EXPANSION JOINT.

I	INTERSECTION/MEDIAN AND ON-STREET CAR BAYS DETAILS ADDED		17/05/24
H	WEARING COURSE THICKNESS, KERB PROFILES UPDATED		10/01/24
G	REINFORCED KERB DETAILS UPDATED		5/09/23
F	updated		15/12/20
E	SMK updated		07/11/19
Document Set ID: 6490764			
Version: 10, Version Revisions: 01/2025		Chk'd	App'd



CITY OF COCKBURN
 9 COLEVILLE CRESCENT,
 SPEARWOOD WA 6163
 PHONE: (08) 9411 3444

STANDARD DETAILS

Title		ROADWORKS		
DESIGNED		NS	APPROVED	SCALE AS SHOWN
DRAWN		NS	DATE	JOB No
CHECKED				DWG No
				SHEET No
				REV
				2423B03
				01
				1