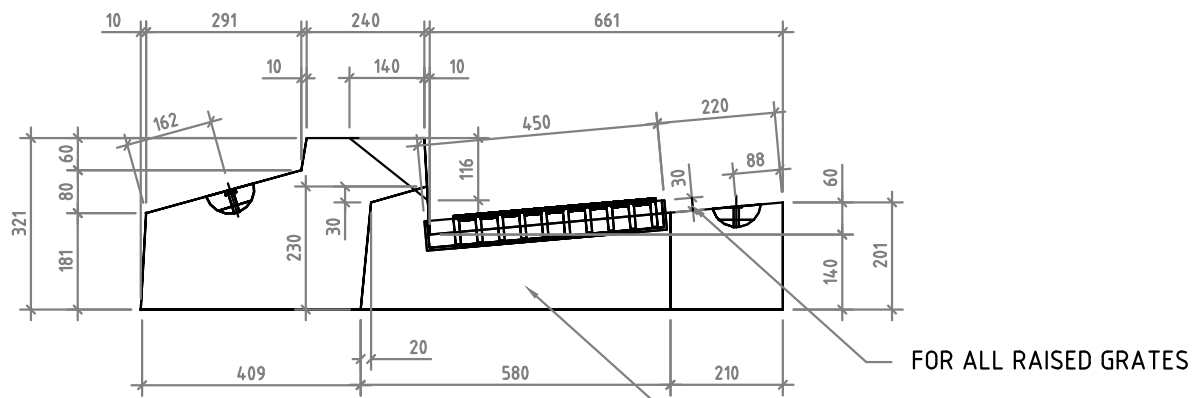
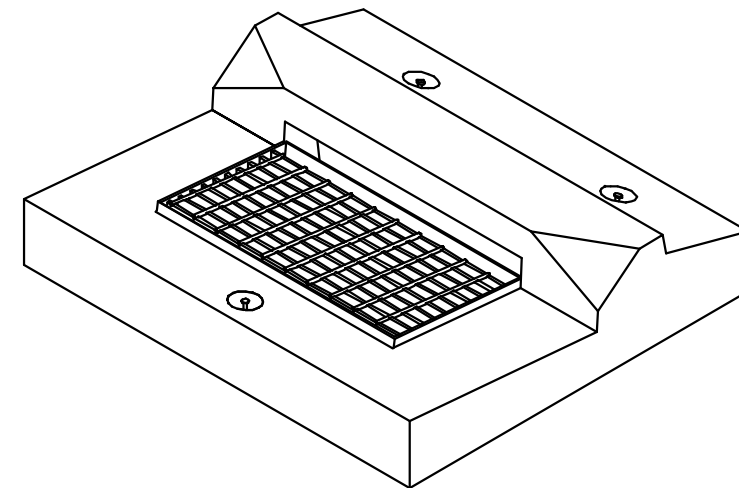




TOP VIEW



SIDE ELEVATION



ISOMETRIC VIEW

MARK	TYSWLK-4
No. OFF	N/A
VOL.	0.258 m ³
WT.	0.620 t
SUR AREA.	4.22 m ²
SURFACE FINISH	#2 MOULD
CONCRETE STRENGTH	32 MPa
CONCRETE GRADE	S32
MAX AGGREGATE	14mm
MAX. SLUMP	80mm
CONCRETE COVER	50mm
DIAGONALS	
A - D	N/A
B - C	N/A
LIFTING LUGS	QTY: 3 OFF
	
PLAN	ELEVATION

DRAINAGE VOID

FOR ALL RAISED GRATES

Chk'd App'd Date



CITY OF COCKBURN

9 COLEVILLE CRESCENT,
SPEARWOOD WA 6163
PHONE: (08) 9411 3444

STANDARD DETAILS

Title

DRAINAGE
COMBINATION SEP AND GULLY GRATE

DESIGNED	NS	APPROVED	SCALE AS SHOWN	JOB No
DRAWN	NS	DATE	DWG No	SHEET No
CHECKED			2423B03	11
				D