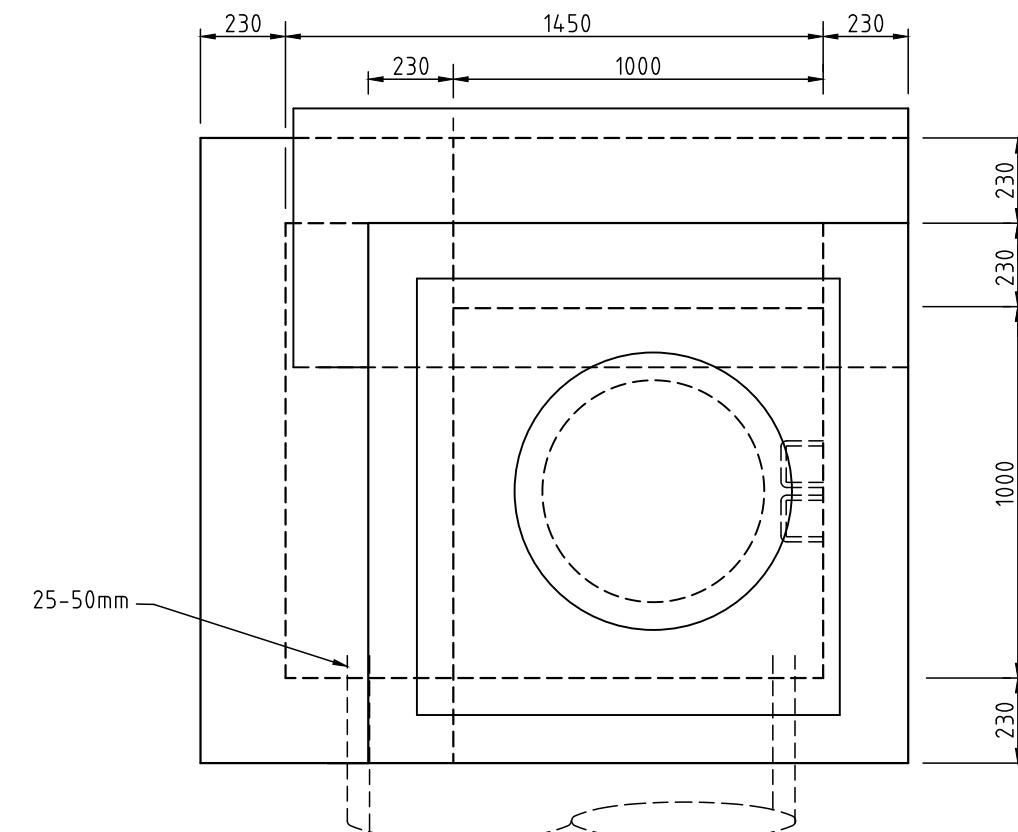
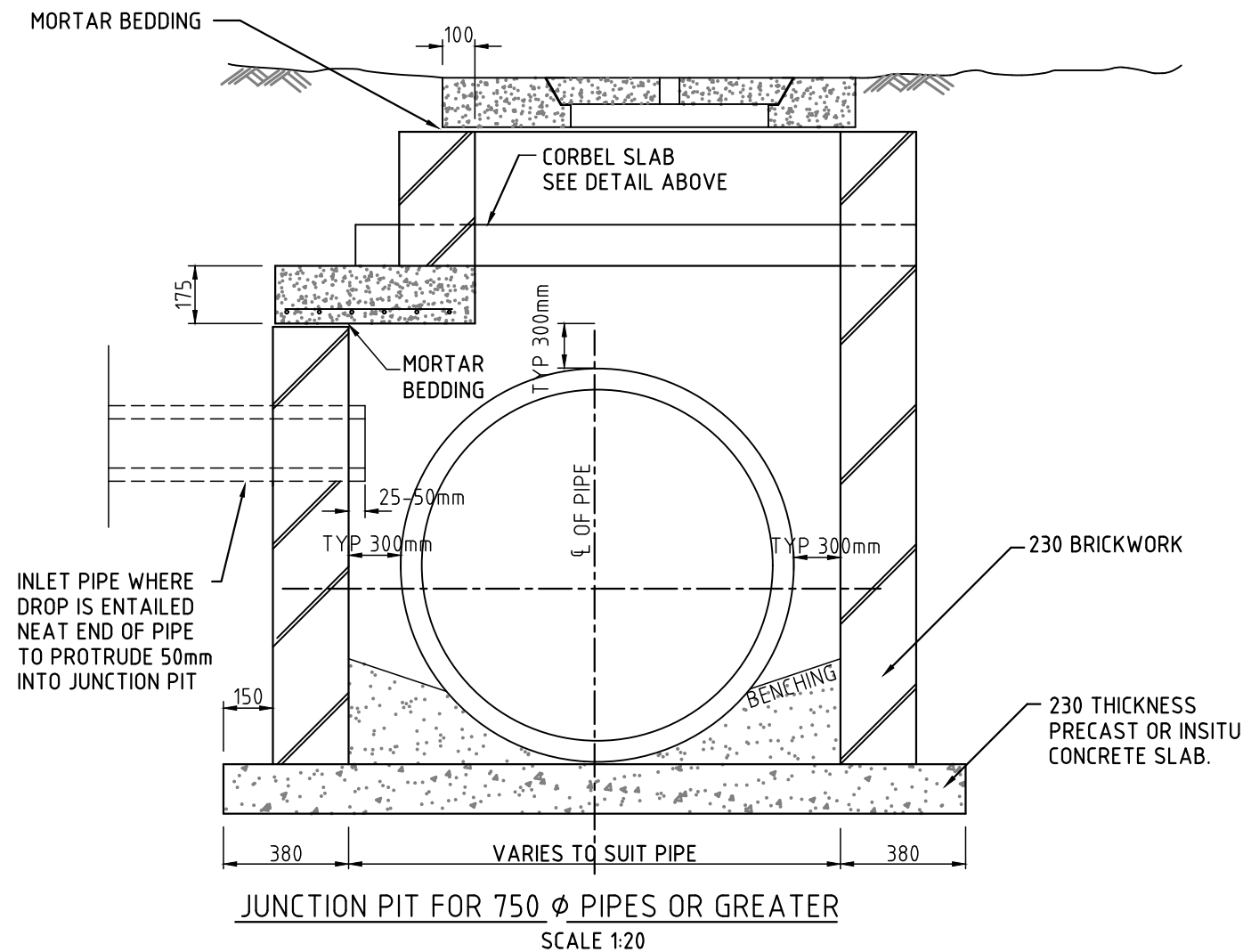


NOTES:

- WHERE PIPES ENTER CIRCULAR PITS THE PIPE SHALL BE CUT AND TRIMMED FLUSH WITH THE PIT WALL AND GROUTED.
- ALL JUNCTION PITS SHALL BE 1050 OR 1200 ϕ R.C. PIPE CLASS 'S' OR 1000X1000 (MIN.) X 230 BRICKWORK AS PER TABLE BELOW

PIPE DIAMETER	PIT SIZE & TYPE
300 - 600	1050 ϕ R.C. PIPE
675	1200 ϕ R.C. PIPE
750 AND OVER	230mm BRICKWORK TO SUIT PIPE

- COVERS TO FINISH FLUSH WITH FINISHED SURFACE LEVELS.
- TOTAL RENDERING OF THE INTERIOR OF BRICK PITS IS NOT REQUIRED - BUT ALL BRICK PITS SHALL BE HAND RENDERED FROM INVERT TO A MINIMUM HEIGHT OF 300mm ABOVE OVER INLET PIPE NO EXTERNAL RENDERING.
- CORBELLING OF B/W PITS (WHERE REQUIRED) CARRIED OUT WITH STANDARD SEWERAGE CORBELS.
- BENCHING TO BE PROVIDED WHERE PIT ACTS AS JUNCTION PIT.



Revision	Description	Date
E	UPDATED PIPE DETAILS WITHIN PITS	8/09/23
D		15/03/23
C		31/08/18
B		9/11/07
A		21/8/03

Document Set ID: 64903-Revision-
Version: 5, Version Date: 26/09/2023



CITY OF COCKBURN
 9 COLEVILLE CRESCENT,
 SPEARWOOD WA 6163
 PHONE: (08) 9411 3444
STANDARD DETAILS

Title			
DRAINAGE			
JUNCTION PIT WITH 750 ϕ PIPES OR GREATER WITH BRICKWORKS			
DESIGNED	NS	APPROVED	SCALE AS SHOWN
DRAWN	NS	DATE	JOB No
CHECKED			DWG No
			SHEET No
			REV
			2423B03
			12
			E