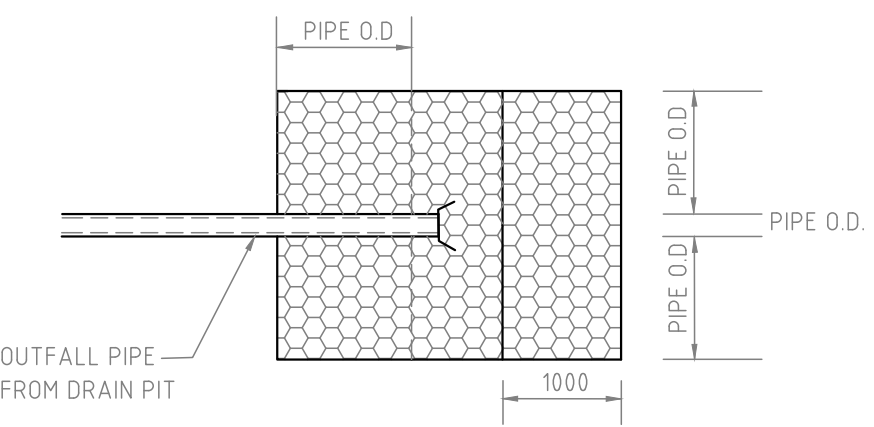
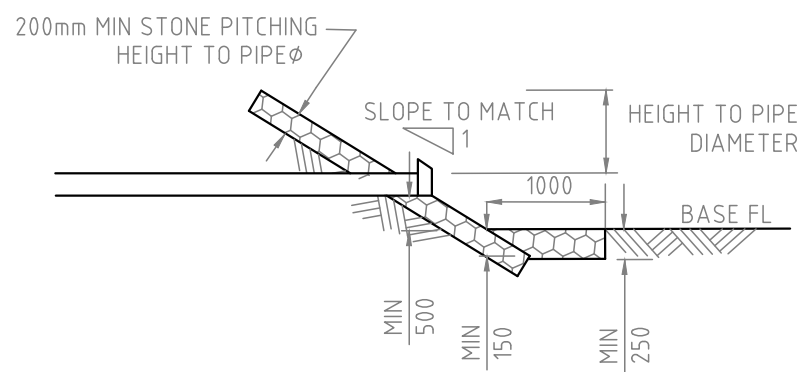


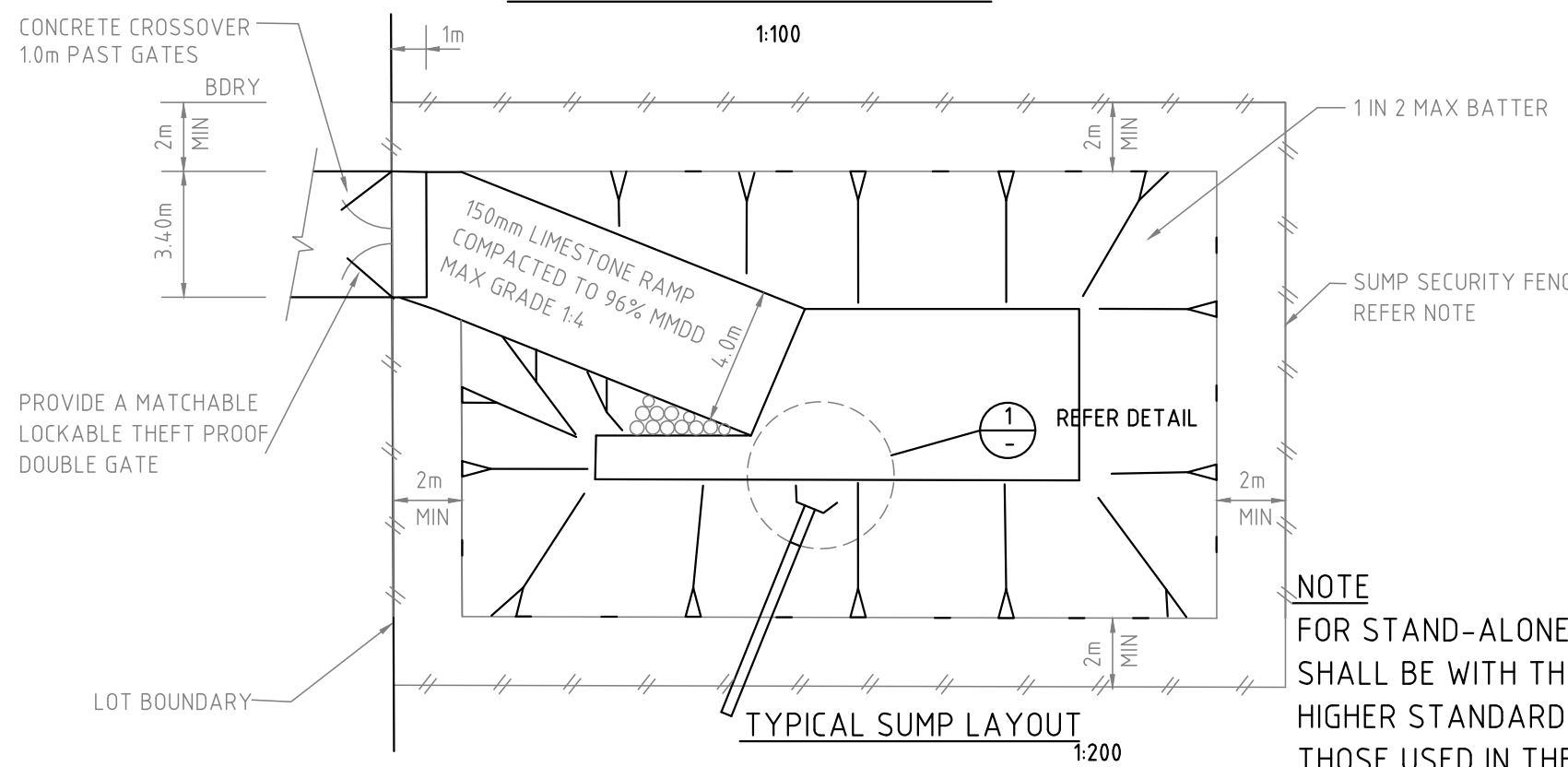
TYPICAL SECTION THROUGH SUMP



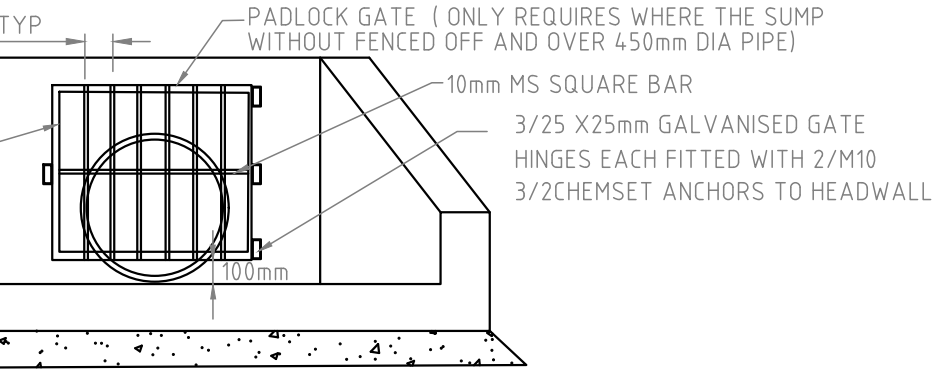
SUMP OUTFALL APRON PLAN N.T.S.



HEADWALL DETAILS 1 N.T.S.

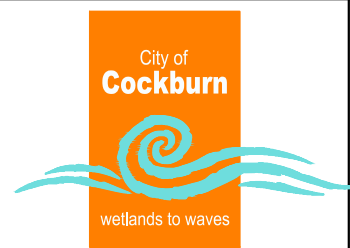


TYPICAL SUMP LAYOUT 1:200



**NOTE**  
 FOR STAND-ALONE SUMPS FENCING SHALL BE WITH THE SAME OR HIGHER STANDARD, MATERIALS AS THOSE USED IN THE SUBDIVISION PERIMETER FENCING OR, AS A MINIMUM STANDARD, COLOURBOND METAL DECK 1.8m HIGH (RESIDENTIAL) & CYCLONE (INDUSTRIAL)  
 FOR SUMPS INCORPORATED IN PASSIVE RECREATION AREAS THE FENCING SHALL BE ACCEPTABLE TO COUNCIL'S PARKS MANAGER.

E	OUTFALL APRON, RAMP AND FREE BOARD DETAILS UPDATED		11/04/24
D	HEADWALL DETAILS/FENCING DETAILS ADDED		08/09/23
C			31/08/18
B			9/11/07
A			21/8/03
	Chk'd	App'd	Date



CITY OF COCKBURN  
 9 COLEVILLE CRESCENT,  
 SPEARWOOD WA 6163  
 PHONE: (08) 9411 3444  
**STANDARD DETAILS**

DESIGNED NS		APPROVED		SCALE AS SHOWN	JOB No
DRAWN NS		DATE		DWG No	SHEET No REV
CHECKED				2423B03	14 E