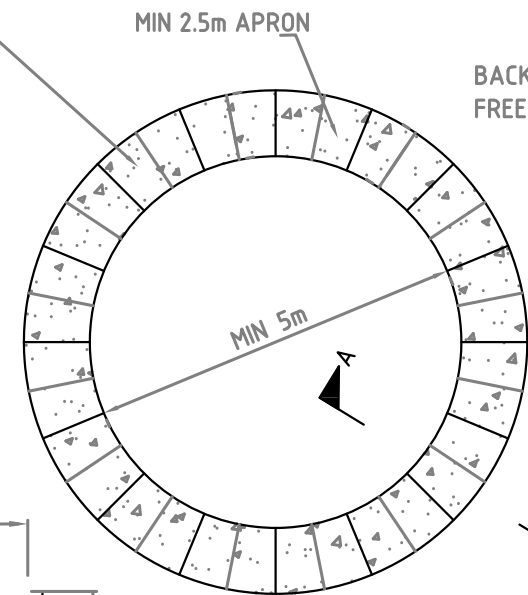
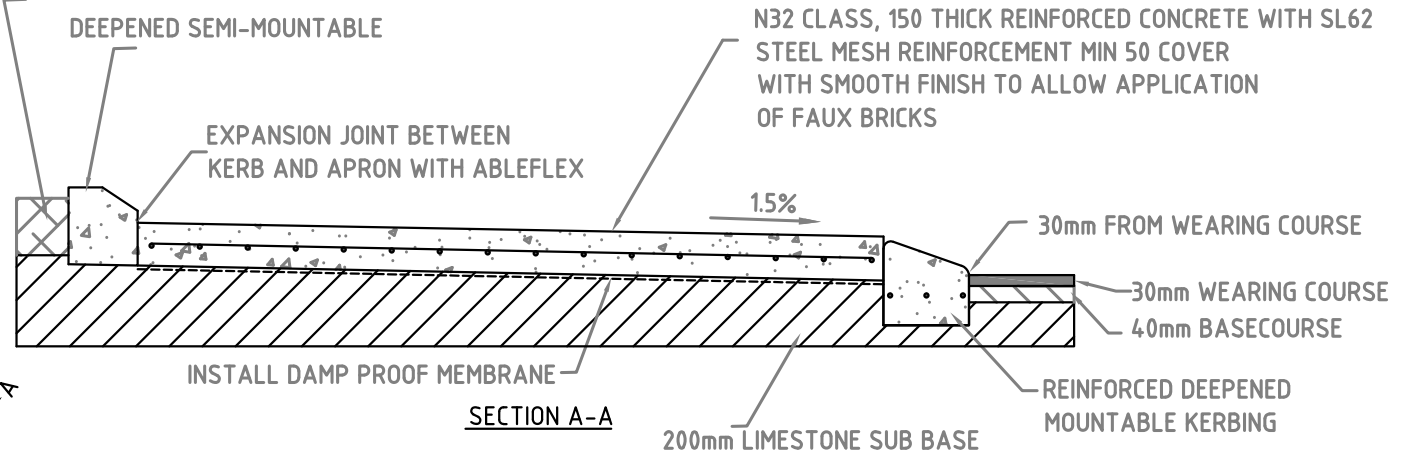


TYPICAL SECTION THROUGH ROUNDABOUT - WITH BRICKPAVED APRON
NTS

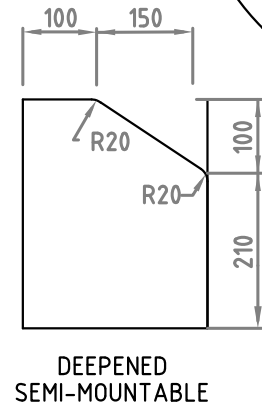
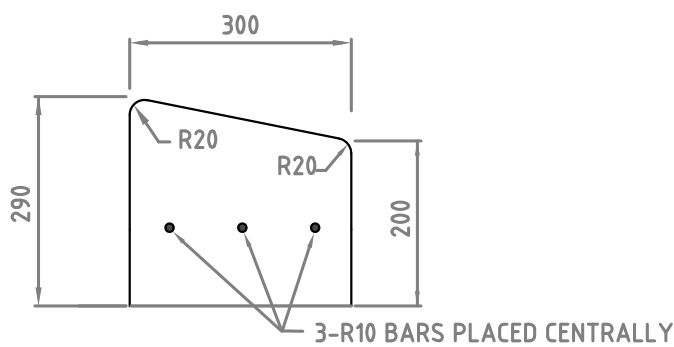
INSTALL 150mm THICK REINFORCED APRON (WITH FAUX BRICK FINISH) WITH EXPANSION JOINTS AT 5m CENTRES AND 50mm DEEP SAW CUT JOINTS AT 2.5m CENTRES ENSURE 50mm CLEARANCE TO THE MESH FROM JOINTS



BACKFILL WITH WEED FREE LANDSCAPE MIX



TYPICAL SECTION THROUGH ROUNDABOUT - WITH CONCRETE APRON
NTS



MOUNTABLE KERBING
EXTRUDED DEEPENED KERB SECTIONS
1:10

E	UPDATED WEARING COURSE THICKNESS & CONCRETE CLASS		18/03/24
D	UPDATED CONCRETE APRON, KERBING DETAILS		6/09/23
C			31/08/18
B			9/11/07
A			21/8/03
	Chk'd	App'd	Date



CITY OF COCKBURN
9 COLEVILLE CRESCENT,
SPEARWOOD WA 6163
PHONE: (08) 9411 3444
STANDARD DETAILS

Title				ROADWORKS ROUNDABOUT SECTION DETAILS		
DESIGNED	NS	APPROVED	SCALE AS SHOWN	JOB No		
DRAWN	NS	DATE	DWG No	SHEET No	REV	
CHECKED			2423B03	03	E	