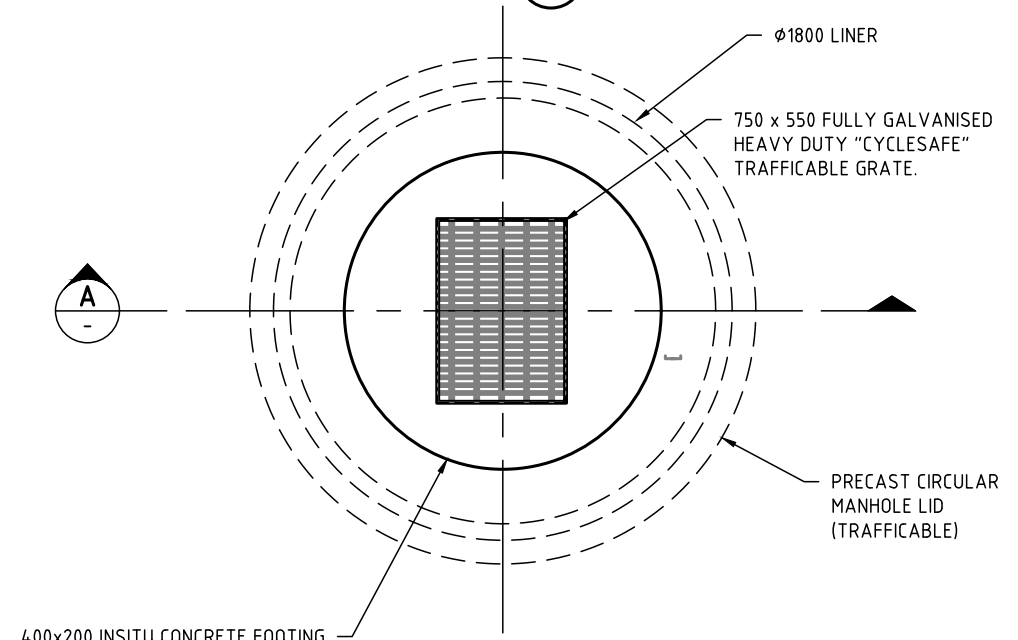


STANDARD LINER JUNCTION PIT



SOAK WELL PLAN

NOTES: 1) SOAK WELLS NOT TO BE INSTALLED UNDER THE CARRIAGEWAY

| | | | |
|--------------------------------------|----------------------------------|-------|----------|
| F | UPDATED PIPE DETAILS WITHIN PITS | | 8/09/23 |
| E | | | 15/03/23 |
| D | | | 12/02/21 |
| C | | | 31/08/18 |
| B | | | 9/11/07 |
| Document Set ID: 649047 | Revision | Chk'd | App'd |
| Version: 5, Version Date: 26/09/2023 | | Date | |



CITY OF COCKBURN
9 COLEVILLE CRESCENT,
SPEARWOOD WA 6163
PHONE: (08) 9411 3444
STANDARD DETAILS

| | | | | |
|----------|----|---|----------------|----------|
| Title | | DRAINAGE SOAKWELL & STD LINER JUNCTION PIT | | |
| DESIGNED | NS | APPROVED | SCALE AS SHOWN | JOB No |
| DRAWN | NS | DATE | DWG No | SHEET No |
| CHECKED | | | 2423B03 | 08 |
| | | | | REV F |